

TECHNICAL DATASHEET

ELECTRICAL SPECIFICATIONS

Item No. 142.001 / Page 1 / 4

Print Date 29.09.2024 11:24

DC-Converter 142E-13.8-SD

200 Watt, non isolated, single output buck converter with internal decoupling diode

All parameters defined on $T_a=25^{\circ}\text{C}$, $I_{oNom} = 15.0\text{ ADC}$ and $U_{iNom} = 48\text{VDC}$

ABSOLUTE MAXIMUM RATINGS

parameter	unit	typ
Input peak voltage	VDC	75.00
Feedback protection against overvoltage on the output	VDC	35
Worst case output voltage in fault mode	VDC	18
Output overvoltage protection	VDC	16.0

THERMAL CHARACTERISTICS

parameter	min to max	typ
Ambient temperature range	$-40^{\circ}\text{C} / +85^{\circ}\text{C}$	
Max. case temperature for thermal shut down [$^{\circ}\text{C}$]		$+90^{\circ}\text{C}$
Storage temperature (device not in operation)	$-10^{\circ}\text{C} / +65^{\circ}\text{C}$	
Relative maximum humidity under storage		75% RH
Storage under worst conditions [in days]		25

COMMUNICATION INTERFACE

parameter	unit	fulfilled	conditions	min to max
Option shut down (left open for operation)		✓		
Shutdown voltage for transformer	VDC		I_{oNom}	-0.2 to 2.8

SPECIALS

parameter	unit	fulfilled	conditions	typ
Switching frequency	kHz			141
Efficiency at light loads	%		$0.25I_{oNom}$	96.00
Efficiency at medium loads	%		$0.5I_{oNom}$	96.00
Efficiency at full loads	%		I_{oNom}	96.00
MTTF	h		SN29500 @ 70°	1 100 000
For active loads or parallel connection		✓		
Drives high capacitive loads		✓		
CC/CV battery load characteristic		✓		
Insulation strength primary to case	VDC			1500

COMPLIANCE

parameter	fulfilled	notes
61000-6-2 (EMC-Immunity standard for industrial environment)	✓	
61000-4-2 (immunity against ESD-electrostatic discharge)	✓	
61000-4-3 (immunity High frequency electromagnetic fields)	✓	
61000-4-4 (immunity against burst – electrical fast transients)	✓	
61000-4-5 (immunity against surge - high energy surges)	✓	
61000-4-6 (immunity against induced, conducted disturbances)	✓	

All technical and general information is provided in all conscience. However, completeness and accuracy cannot be guaranteed. Demke recommends to fully test the product in its determined application. Due to permanent improvements to our products, we reserve the right to change specifications at any time and without prior notification and without obligation to update products already supplied. This is a component for professional equipment manufacturers. Read the safety and installation instruction for proper use. Safety aspect and EMC-aspect must be considered in the end application.

DEMKE
ELECTRONIC

Demke Electronic GmbH
Tonhallestrasse 37
9500 Wil – Switzerland

phone +41 71 511 34 00
e-mail sales@demke-electronic.com

web www.demke-electronic.com

TECHNICAL DATASHEET

ELECTRICAL SPECIFICATIONS

Item No. 142.001 / Page 2 / 4

Print Date 29.09.2024 11:24

DC-Converter 142E-13.8-SD

200 Watt, non isolated, single output buck converter with internal decoupling diode

61000-6-4 (EMC – Emission standard for industrial environment)	✓
55022<A	✓

All technical and general information is provided in all conscience. However, completeness and accuracy cannot be guaranteed. Demke recommends to fully test the product in its determined application. Due to permanent improvements to our products, we reserve the right to change specifications at any time and without prior notification and without obligation to update products already supplied. This is a component for professional equipment manufacturers. Read the safety and installation instruction for proper use. Safety aspect and EMC-aspect must be considered in the end application.

DEMKE
ELECTRONIC

Demke Electronic GmbH
Tonhallestrasse 37
9500 Wil – Switzerland

phone +41 71 511 34 00
e-mail sales@demke-electronic.com

web www.demke-electronic.com

DC-Converter 142E-13.8-SD

200 Watt, non isolated, single output buck converter with internal decoupling diode

INPUT

parameter	unit	conditions	min	typ	max
Input voltage range	VDC	IoNom	16	48	70
Max. input current	A	UiNom		14	
Input start up voltage	VDC	UiNom		15.0	
Undervoltage lockout	VDC	UiNom		14.0	
Generated AC-ripple on the supply (BW=20MHz)	mVp-p	UiNom/IoNom		50	
Generated HF-noise on the supply (BW=20MHz)	mVp-p	UiNom/IoNom		50	

OUTPUT

parameter	unit	conditions	min	typ	max
Output voltage	VDC	IoNom		13.8	
Minimum required load to obtain the specified output voltage	%	UiNom		0	
Generated AC-ripple on the output (BW=20MHz)	mVp-p	UiNom/IoNom		20	
Generated HF-noise on the output (BW=20MHz)	mVp-p	UiNom/IoNom		30	
Output voltage accuracy	%	IoNom		+/-2.00%	
Output voltage overshoot at initial switch-on	%	IoNom		overdamped	
Rated output power	W			200	

CONTROL

parameter	unit	conditions	min	typ	max
Static line regulation	%	IoNom/UiMin...UiMa		0.10	
Static load regulation	%	IoMin...IoMax/UiNo		0.5	
Dynamic load change adjusting time	ms	LoadChange 10...90		0.50	
Dynamic load change deviation to nominal output voltage	V	LoadChange 10...90		1.00	
Maximum admissible capacitive load	uF	IoNom		infinite	
Initial switch on time	ms	IoNom		60	
Softstart ramp up time	ms	IoNom		15	

All technical and general information is provided in all conscience. However, completeness and accuracy cannot be guaranteed. Demke recommends to fully test the product in its determined application. Due to permanent improvements to our products, we reserve the right to change specifications at any time and without prior notification and without obligation to update products already supplied. This is a component for professional equipment manufacturers. Read the safety and installation instruction for proper use. Safety aspect and EMC-aspect must be considered in the end application.

TECHNICAL DATASHEET

ELECTRICAL SPECIFICATIONS

Item No. 142.001 / Page 4 / 4

Print Date 29.09.2024 11:24

DC-Converter 142E-13.8-SD

200 Watt, non isolated, single output buck converter with internal decoupling diode

MECHANICAL

parameter	unit	
Overall dimensions	mm	77x52x19
Weight	g	166

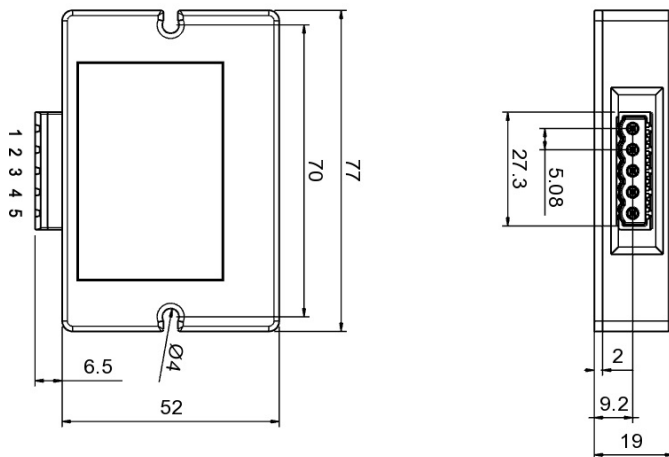
Pin No.	Function	Electrical Determination
1	SD	Shut down
2	Vi+	Input voltage positive
3	Vi-	Input voltage negative
4	Vo-	Output voltage negative
5	Vo+	Output voltage positive

Mechanical dimensions and Pin configuration

All dimensions in mm

Connector type: CCA 2,5/5-G-5,08 P26THR

Case: FMC 77x52x19



All technical and general information is provided in all conscience. However, completeness and accuracy cannot be guaranteed. Demke recommends to fully test the product in its determined application. Due to permanent improvements to our products, we reserve the right to change specifications at any time and without prior notification and without obligation to update products already supplied. This is a component for professional equipment manufacturers. Read the safety and installation instruction for proper use. Safety aspect and EMC-aspect must be considered in the end application.

DEMKE
ELECTRONIC

Demke Electronic GmbH
Tonhallestrasse 37
9500 Wil - Switzerland

phone +41 71 511 34 00
e-mail sales@demke-electronic.com

web www.demke-electronic.com