

TECHNICAL DATASHEET

ELECTRICAL SPECIFICATIONS

Item No. 162.001 / Page 1 / 4

Print Date 29.09.2024 11:25

DC-Converter 162E-13.8-ON

275 Watt, non isolated, single output buck converter with internal decoupling diode

All parameters defined on Ta=25°C, IoNom = 20.0 ADC and UiNom = 48VDC

ABSOLUTE MAXIMUM RATINGS

parameter	unit	typ
Input peak voltage	VDC	70.00
Feedback protection against overvoltage on the output	VDC	16
Worst case output voltage in fault mode	VDC	18
Output overvoltage protection	VDC	15.6
Typical reverse leakage current in standby-mode	mA	1

THERMAL CHARACTERISTICS

parameter	min to max	typ
Ambient temperature range	-40°C / +85°C	
Max. case temperature for thermal shut down [°C]		+90°C
Storage temperature (device not in operation)	-10°C / +65°C	
Relative maximum humidity under storage		75% RH
Storage under worst conditions [in days]		25

COMMUNICATION INTERFACE

parameter	unit	fulfilled	conditions	min to max
Option Enable (connect to Vin for operation)		✓		
Enable voltage for transformer	VDC		IoNom	16.0 to 75.0

SPECIALS

parameter	unit	fulfilled	conditions	typ
Switching frequency	kHz			110
Efficiency at light loads	%		0.25IoNom	95.00
Efficiency at medium loads	%		0.5IoNom	95.00
Efficiency at full loads	%		IoNom	93.00
MTTF	h		SN29500 @ 70°	1 000 000
For active loads or parallel connection		✓		
Drives high capacitive loads		✓		
CC/CV battery load characteristic		✓		
Insulation strength primary to case	VDC			1500

COMPLIANCE

parameter	fulfilled	notes
61000-6-2 (EMC-Immunity standard for industrial environment)	✓	
61000-4-2 (immunity against ESD-electrostatic discharge)	✓	
61000-4-3 (immunity High frequency electromagnetic fields)	✓	up to 50V/m
61000-4-4 (immunity against burst – electrical fast transients)	✓	
61000-4-5 (immunity against surge - high energy surges)	✓	

All technical and general information is provided in all conscience. However, completeness and accuracy cannot be guaranteed. Demke recommends to fully test the product in its determined application. Due to permanent improvements to our products, we reserve the right to change specifications at any time and without prior notification and without obligation to update products already supplied. This is a component for professional equipment manufacturers. Read the safety and installation instruction for proper use. Safety aspect and EMC-aspect must be considered in the end application.

DEMKE
ELECTRONIC

Demke Electronic GmbH
Tonhallestrasse 37
9500 Wil - Switzerland

phone +41 71 511 34 00
e-mail sales@demke-electronic.com

web www.demke-electronic.com

TECHNICAL DATASHEET

ELECTRICAL SPECIFICATIONS

Item No. 162.001 / Page 2 / 4

Print Date 29.09.2024 11:25

DC-Converter 162E-13.8-ON

275 Watt, non isolated, single output buck converter with internal decoupling diode

61000-4-6 (immunity against induced, conducted disturbances)	✓	up to 50V/m
61000-6-4 (EMC – Emission standard for industrial environment)	✓	
55022<A	✓	

All technical and general information is provided in all conscience. However, completeness and accuracy cannot be guaranteed. Demke recommends to fully test the product in its determined application. Due to permanent improvements to our products, we reserve the right to change specifications at any time and without prior notification and without obligation to update products already supplied. This is a component for professional equipment manufacturers. Read the safety and installation instruction for proper use. Safety aspect and EMC-aspect must be considered in the end application.

DEMKE
ELECTRONIC

Demke Electronic GmbH
Tonhallestrasse 37
9500 Wil – Switzerland

phone +41 71 511 34 00
e-mail sales@demke-electronic.com

web www.demke-electronic.com

TECHNICAL DATASHEET

ELECTRICAL SPECIFICATIONS

Item No. 162.001 / Page 3 / 4

Print Date 29.09.2024 11:25

DC-Converter 162E-13.8-ON

275 Watt, non isolated, single output buck converter with internal decoupling diode

INPUT

parameter	unit	conditions	min	typ	max
Input voltage range	VDC	IoNom	16	48	70
No load input current	mA	UiNom		28	
Max. input current	A	UiNom		18	
Input start up voltage	VDC	UiNom		16.6	
Undervoltage lockout	VDC	UiNom		14.6	
Input quiescent current in shutdown mode	mA	UiNom		0.30	
Generated AC-ripple on the supply (BW=20MHz)	mVp-p	UiNom/loNom		30	
Generated HF-noise on the supply (BW=20MHz)	mVp-p	UiNom/loNom		100	
Reflected input ripple current	mA _{p-p}	UiNom/loNom		40	

OUTPUT

parameter	unit	conditions	min	typ	max
Output voltage	VDC	IoNom		13.8	
Minimum required load to obtain the specified output voltage	%	UiNom		0	
Generated AC-ripple on the output (BW=20MHz)	mVp-p	UiNom/loNom		20	
Generated HF-noise on the output (BW=20MHz)	mVp-p	UiNom/loNom		50	
Output voltage accuracy	%	IoNom		+/-2.00%	
Output voltage overshoot at initial switch-on	%	IoNom		overdamped	
Rated output power	W			275	

CONTROL

parameter	unit	conditions	min	typ	max
Static line regulation	%	IoNom/UiMin...UiMa		0.10	
Static load regulation	%	IoMin...IoMax/UiNo		0.2	
Dynamic load change adjusting time	ms	LoadChange 10...90		0.50	
Dynamic load change deviation to nominal output voltage	V	LoadChange 10...90		1.50	
Maximum admissible capacitive load	uF	IoNom		infinite	
Initial switch on time	ms	IoNom		50	
Softstart ramp up time	ms	IoNom		30	

All technical and general information is provided in all conscience. However, completeness and accuracy cannot be guaranteed. Demke recommends to fully test the product in its determined application. Due to permanent improvements to our products, we reserve the right to change specifications at any time and without prior notification and without obligation to update products already supplied. This is a component for professional equipment manufacturers. Read the safety and installation instruction for proper use. Safety aspect and EMC-aspect must be considered in the end application.

DEMKE
ELECTRONIC

Demke Electronic GmbH
Tonhallestrasse 37
9500 Wil - Switzerland

phone +41 71 511 34 00
e-mail sales@demke-electronic.com

web www.demke-electronic.com

DC-Converter 162E-13.8-ON

275 Watt, non isolated, single output buck converter with internal decoupling diode

MECHANICAL

parameter	unit	
Overall dimensions	mm	90x90x26
Weight	g	360

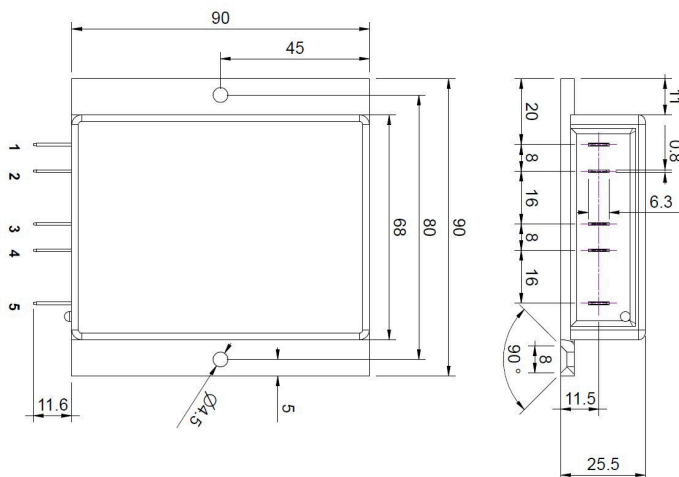
Pin No.	Function	Electrical Determination
1	On	Enable
2	Vi+	Input voltage positive
3	Vi-	Input voltage negative
4	Vo-	Output voltage negative
5	Vo+	Output voltage positive

Mechanical dimensions and Pin configuration

All dimensions in mm

Connector type: Flat pin plug 6.3mm

Case: FMC 90x90x26



All technical and general information is provided in all conscience. However, completeness and accuracy cannot be guaranteed. Demke recommends to fully test the product in its determined application. Due to permanent improvements to our products, we reserve the right to change specifications at any time and without prior notification and without obligation to update products already supplied. This is a component for professional equipment manufacturers. Read the safety and installation instruction for proper use. Safety aspect and EMC-aspect must be considered in the end application.