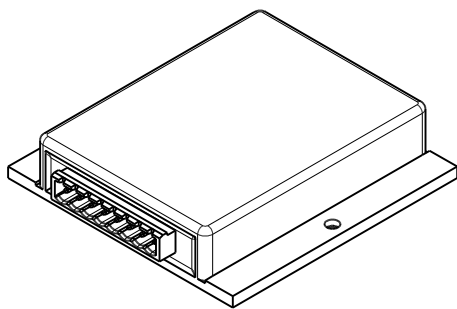
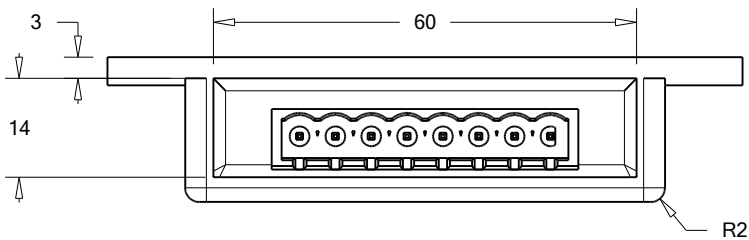


DIN ISO 2768-mK



$\sqrt{\text{Ra } 3,2}$   
=

|                 |  |                       |
|-----------------|--|-----------------------|
| DIN ISO 2768-mK |  | Material<br>Aluminium |
| Review          | Alexandre Lechartier                                       | A4                    |
| Approved        | Martin Demke   | Update                |
| Design          | Switzerland  | 19/09/2024            |
| Production      | Germany  | Unit mm (SI)          |
| Name            | DC/DC Converter<br>FMC 90x90x21<br>CCA 2,5/8-G-5,08 P26THR |                       |
|                 |  |                       |
|                 |  | Scale 1:1             |
|                 |  | Sheet 1 OF 1          |